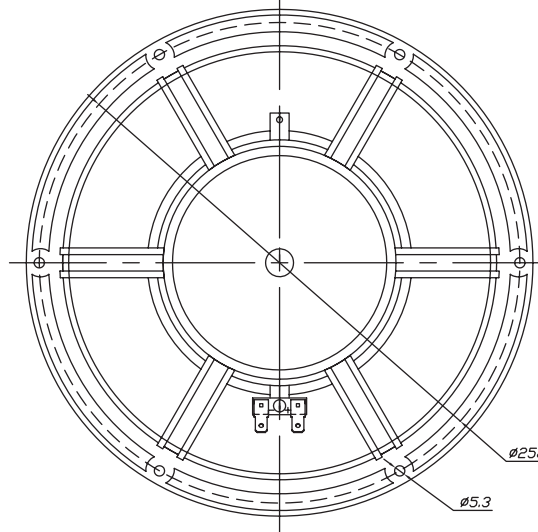
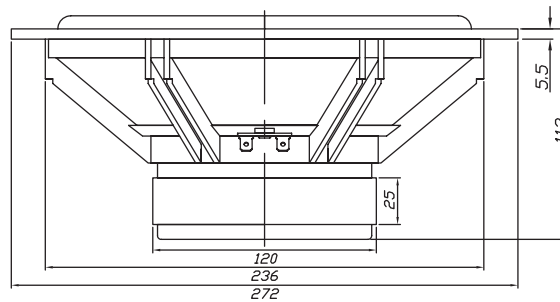


Features

- Lightweight black anodized aluminum cone
- Attractive 6-hole cast frame
- Advanced low distortion motor design
- Solid aluminum phase plug
- Rubber surround

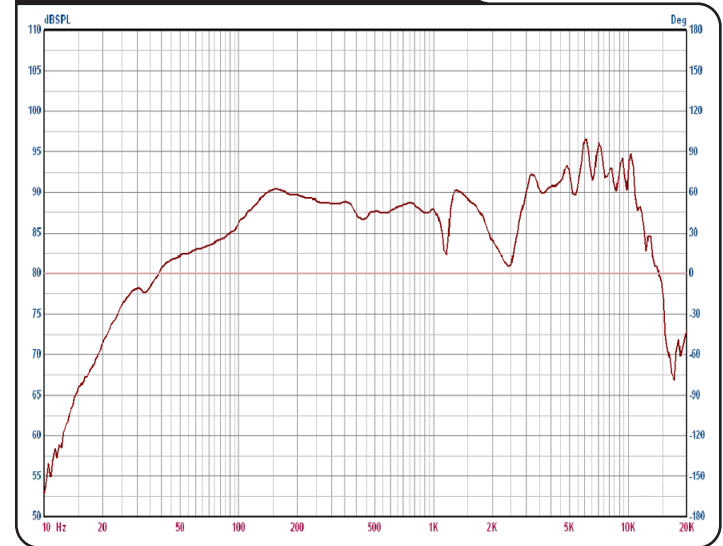
Parameters

Impedance (Ω)	8
Re (Ω)	6.78
Le (mH) @ 1 kHz	0.90
Fs (Hz)	24.9
Qms	1.75
Qes	0.52
Qts	0.40
Mms (g)	57.1
Cms (mm/N)	0.72
Sd (cm ²)	346.4
Vd (cm ³)	228.6
BL (Tm)	10.8
VAS (liters)	120.5
XMAX (mm)	6.6
VC Diameter (mm)	49.5
SPL (dB@1W/1m)	87.5
RMS Power Handling (w)	100
Usable Frequency Range (Hz)	25 - 1,800



Note: All dimensions in mm.

Frequency Response



Impedance/Phase

